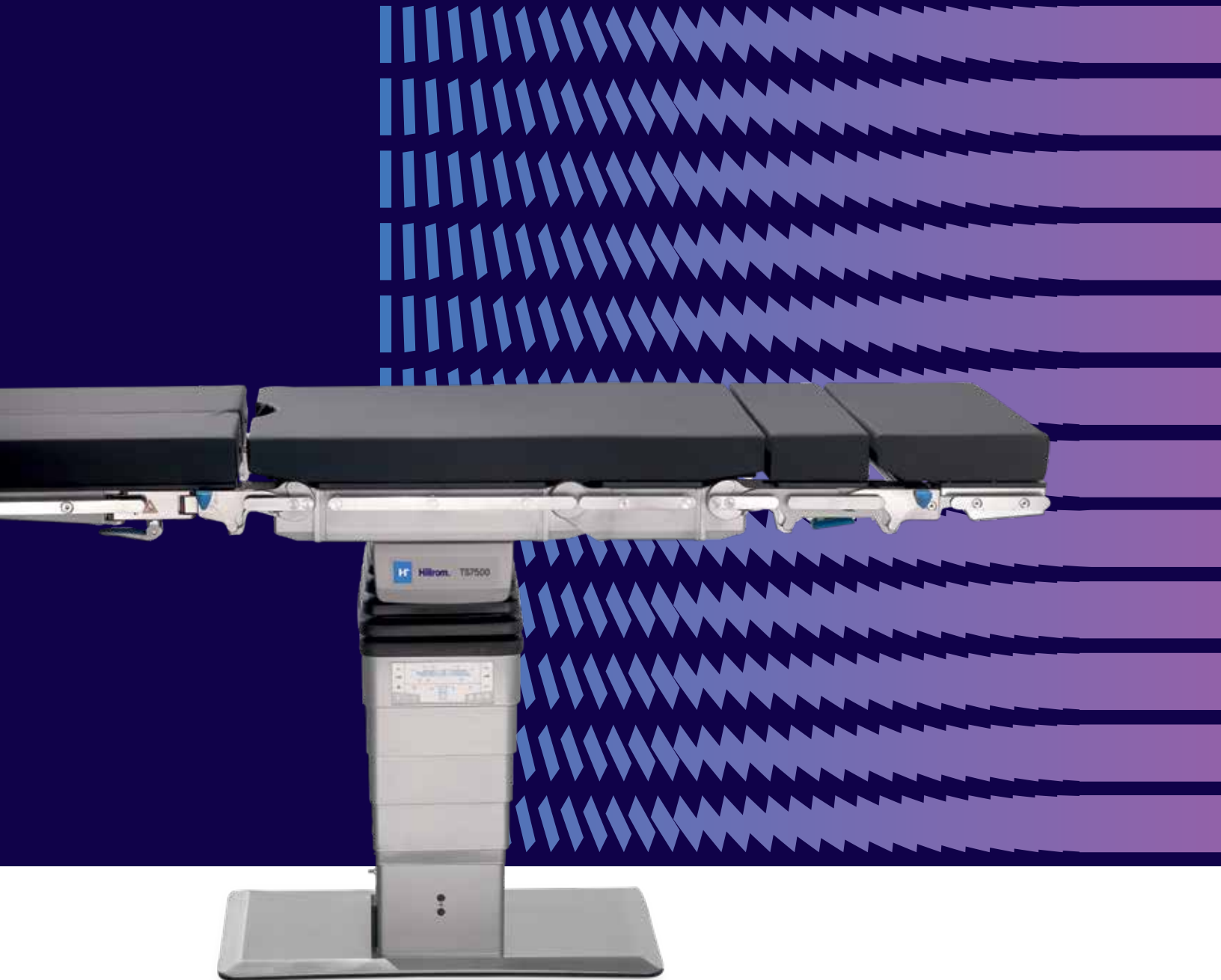




Hillrom™



TS 7500 Surgical Table

Ahead of its time



CUTTING-EDGE TECHNOLOGY

Now and in the Future

Current requirements in the OR demand a high level of flexibility and safety. To make workflow as efficient as possible, Hillrom developed the trend-setting TS 7500 OR System Table, which enables highly ergonomic working methods for patient loads of up to 880 lb / 400 kg. In addition, the TS 7500 SensorLine package helps to enhance safety and efficiency of patient care.

The result is an innovative solution that helps to ensure your OR is fit for the future.

SAFE, ERGONOMIC AND EFFICIENT

TS 7500 OR System Table enhances functionality, ease of use and design.

SAFE WORKFLOW

The TS 7500 OR System Table with the SensorLine enhancement package includes functions, such as overload protection and collision monitoring, that help to make the OR a safer working environment.

ENHANCED FLEXIBILITY

TS 7500 OR System Table offers extreme adjustment ranges and is suitable for a wide variety of disciplines.

ERGONOMIC HANDLING

Due to the intuitive coupling point system, all components can be exchanged with ease. In addition, a reduction in component weight simplifies day-to-day handling in the OR.





The TS 7500 System Table integration interface allows for communication with multiple imaging partners.

TS 7500 HYBRID COLUMN

The Center of the Hybrid OR

The Hybrid OR with advanced imaging technologies is the future of integrated patient care. By utilizing the TS 7500 Hybrid Column and interchangeable tabletops, the room can be utilized for a wide range of applications and disciplines. This allows for flexibility in room use and scheduling procedures.

CARBON FLOATLINE – ACCURATE PATIENT POSITIONING USING INTELLIGENT SENSOR TECHNOLOGY

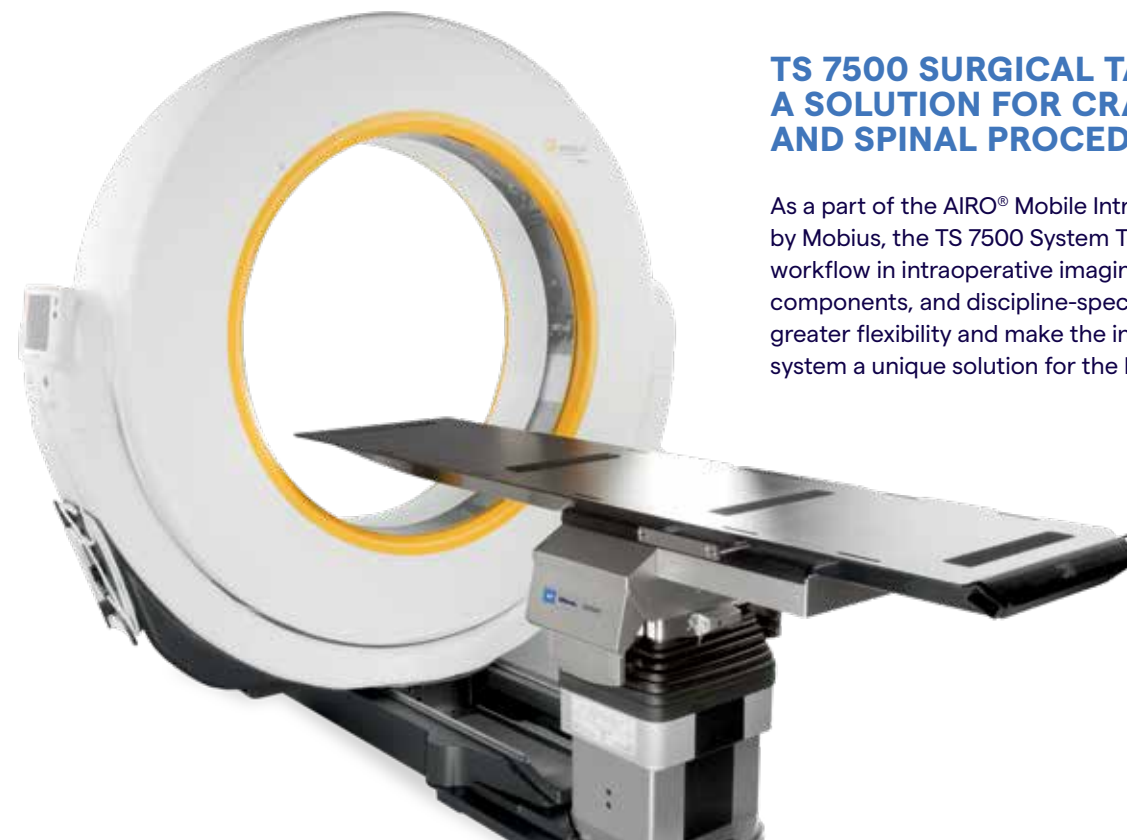
- Assistance in vascular surgery through rotation around a fixed isocenter in the image with TS 7500 SensorLine.
- Maximum comfort during neurosurgical procedures with a radiolucence of up to 82.7" / 2,100 mm through 360°.
- Free-floating movement using the power-sensor-assisted Sensor Control FloatLine operating unit.



82.7" (2,100 mm)

TS 7500 SURGICAL TABLE – A SOLUTION FOR CRANIAL AND SPINAL PROCEDURES

As a part of the AIRO® Mobile Intraoperative CT Scanner by by Mobius, the TS 7500 System Table helps facilitate ideal workflow in intraoperative imaging. Positioning sets, carbon components, and discipline-specific accessories enable greater flexibility and make the interchangeable tabletop system a unique solution for the Hybrid OR.



SAFE AND WELL-DESIGNED TS 7500 SENSORLINE

The TS 7500 SensorLine package offers additional safety and flexibility, enabling you to meet your individual requirements in various applications and configurations.

INTELLIGENT ADDITIONAL FUNCTIONS – IDEAL FOR ANY APPLICATION

- Individually customized tabletop articulations for patient transport on the shuttle.
- Configurable transfer height for efficient patient transfer.
- Rotation around a fixed isocenter for visibility during minimally invasive procedures.
- Enhanced Trendelenburg /tilting ratio for optimal access during laparoscopic surgery.
- Efficient Trendelenburg adjustment for patient care in emergencies.
- Control panel lock for additional protection during procedures.



TS 7500 SensorLine Package

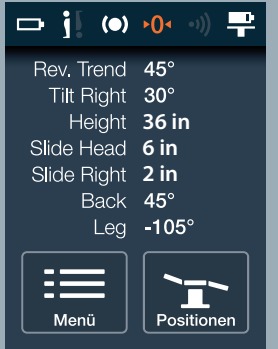


Collision monitoring through detection and avoidance.

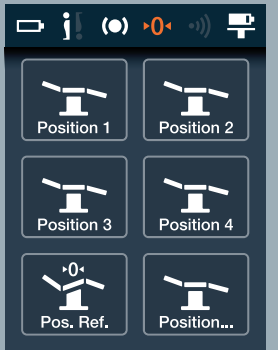


Overload protection for increased patient safety.

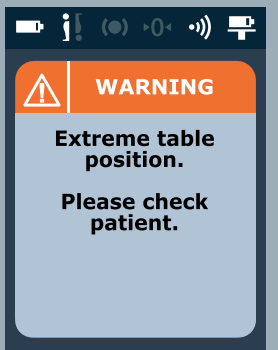
Simple, intuitive operation.



Real-time table status.



Rapid memory position.



Built-in alert system for patient safety.

SAFE POSITIONING FOR EVERY PROCEDURE

TS 7500 Operating Table offers a high number of positioning options for a wide variety of applications: from general and neurosurgery to gynecology, urology, traumatology, and orthopedics. Flexibility is further increased by a wide range of positioning pads and special table accessories.



The TS 7500 Operating Table allows safe positioning in a variety of procedures, including Bariatric due to its weight limit of 880 lb.



GYNECOLOGY



ORTHOPEDICS AND TRAUMA



THORACIC SURGERY



SPINAL SURGERY



ORTHOPEDICS



VASCULAR SURGERY



GENERAL SURGERY



NEUROVASCULAR



NEUROSURGERY

Assisted Transfer with Shuttle

Optimize workflow within the OR with the TS7500 Operating Table. The exchangeable tabletop system enables patient transport within the following areas of the surgical suite:



TRANSFER AND PREPARATION

While working in the OR, the anaesthetic can be administered to the patient on the shuttle.



OPERATING ROOM

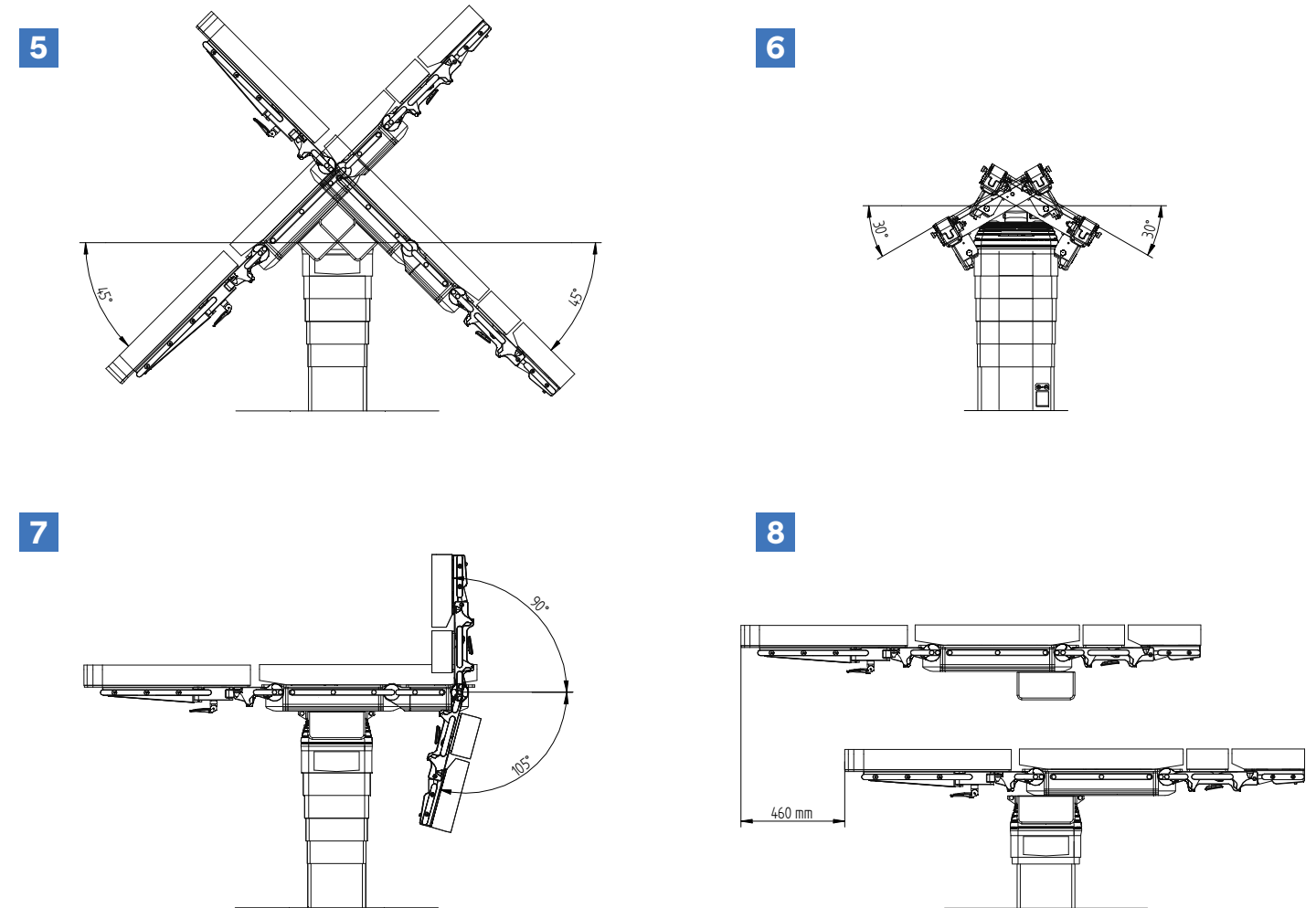
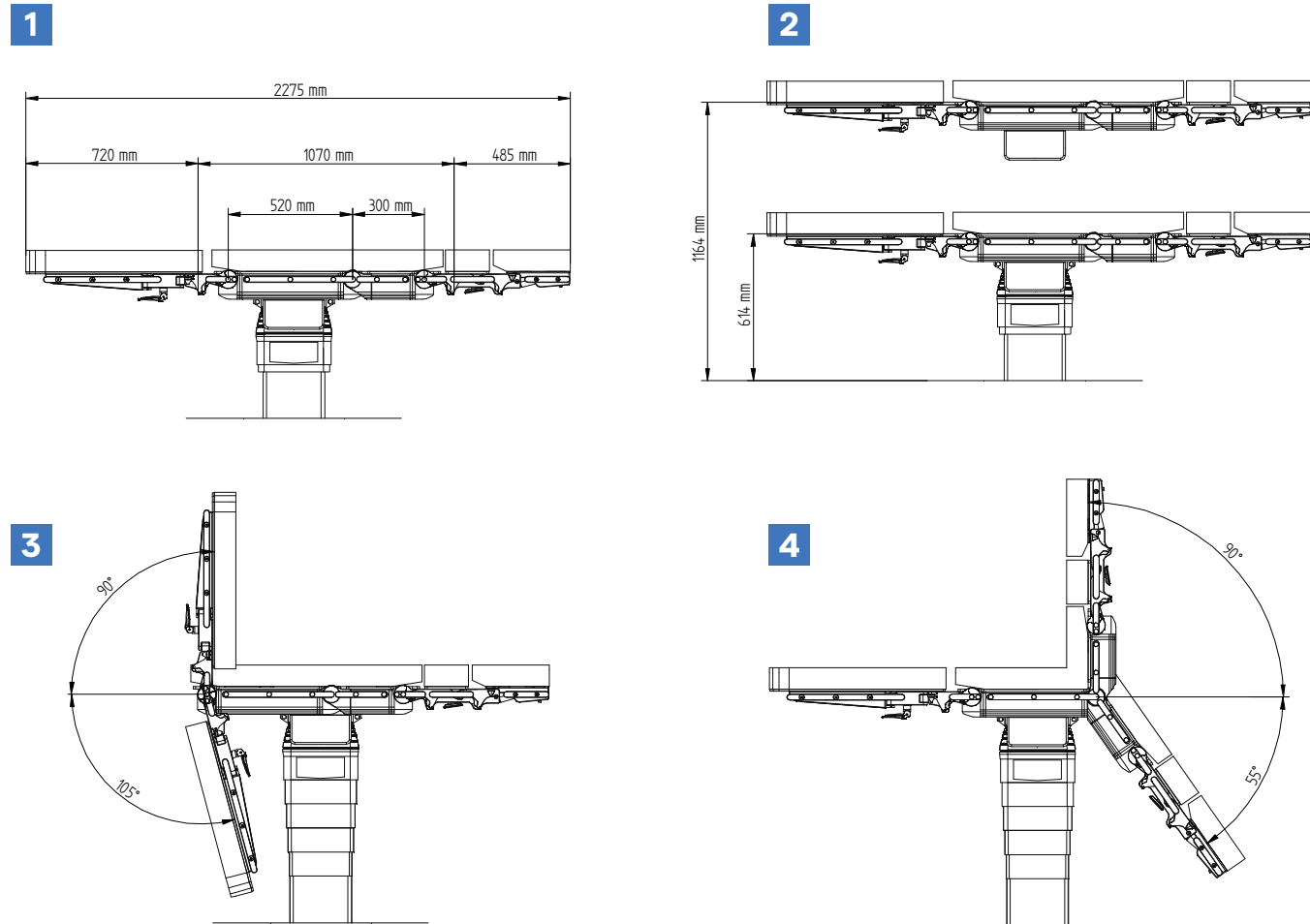
Safe and precise transfer in just a few steps.



RECOVERY

Ergonomic patient transfer in the recovery area.

Technical Data in Detail



Drawings 1–7: OR table column mobile with universal OR tabletop U26 H
Drawing 8: OR table column mobile with universal OR tabletop U14 H

OR table columns	OR table column SF	OR table column SB	OR table column SM, hybrid MC ²	OR table column hybrid SC, FC
Rotation	360° without stop	360° without stop	—	350° with stop
Column height	19.3"-40.9" (490 mm-1,040 mm)	20.5"-42.1" (520 mm-1,070 mm)	20.1"-41.7" (510 mm-1,060 mm)	19.3"-40.9" (490 mm-1,040 mm (SC), 20.5"-42.1" (520 mm-1,070 mm (FC)
Min. height incl. universal tabletop H	23.3" (592 mm)	24.5" (622 mm)	24.1" (612 mm)	—
Height adjustment range	21.7" (550 mm)	21.7" (550 mm)	21.7" (550 mm)	21.7" (550 mm)
Column cross-section (LxW)	12.4" x 14.8" (314 mm x 375 mm)	12.4" x 14.8" (314 mm x 375 mm)	12.4" x 14.8" (314 mm x 375 mm)	12.4" x 14.8" (314 mm x 375 mm)
Trendelenburg/tilting	± 45° / ± 30°	± 45° / ± 30°	± 45° / ± 30°	± 45° / ± 30°
Height of base plate	—	—	1" (25 mm)	—
Max. weight capacity¹	880 lbs (400 kg)	880 lbs (400 kg)	880 lbs (400 kg)	880 lbs (400 kg)

1. With restrictions, depending on position of patient.

2. Cleaning shuttle for raising the mobile column enables cleaning of the underside of the base plate.

OR tabletops	Universal OR tabletops ³⁻⁵			Special OR tabletops ³⁻⁵	
	U14 H	U24 H	U26 H	ST26	Carbon FloatLine
Length	32.8" (832 mm)	42.1" (1,070 mm)	42.1" (1,070 mm)	39.5" (1,004 mm)	87.8" (2,229 mm)
Width across standard rails	23.6" (600 mm)	23.6" (600 mm)	23.6" (600 mm)	23.6" (600 mm)	20.5" (520 mm)
Adjustment range joint leg plate	+ 90°/- 105°	+ 90°/- 105°	+ 90°/- 105°	± 90°	—
Adjustment range joint upper back section input	—	+ 90°/- 105°	+ 90°/- 105°	± 90°	—
Adjustment range joint lower back section input	+ 90°/- 105°	+ 90°/- 55°	+ 90°/- 55°	+ 90°/- 55°	—
Trendelenburg	—	—	—	± 20°	—
Longitudinal shift	18.1" (460 mm)	15.7" (400 mm)	15.7" (400 mm)	13.8" (350 mm)	31.5" (800 mm)
Transverse shift	—	—	—	—	± 4.9" (125 mm)

3. Different operating devices available: cable remote control and chargers for wireless remote control (mobile and wall installation).

4. H tabletops are available with Balanced pads, CFL and ST26 are available with Balanced or Comfort Plus pads.

5. The universal OR tabletops are also available as a washable version.



Hillrom™

ABOUT HILLROM

Hillrom is a global medical technology leader whose 10,000 employees have a single purpose: enhancing outcomes for patients and their caregivers by advancing connected care. Around the world, our innovations touch over 7 million patients each day. They help enable earlier diagnosis and treatment, optimize surgical efficiency and accelerate patient recovery while simplifying clinical communication and shifting care closer to home. We make these outcomes possible through connected smart beds, patient lifts, patient assessment and monitoring technologies, caregiver collaboration tools, respiratory care devices, advanced operating room equipment and more, delivering actionable, real-time insights at the point of care. Learn more at hillrom.com.

For more information, please contact your local distributor or Hillrom sales representative at 1-800-535-6663.

hillrom.com

130 E. Randolph St. Suite 1000, Chicago, IL 60601

Hill-Rom reserves the right to make changes without notice in design, specifications and models. The only warranty Hill-Rom makes is the express written warranty extended on the sale or rental of its products.

© 2020 Hill-Rom Services, Inc. ALL RIGHTS RESERVED. APR53703 rev 1 02-MAR-2020 ENG – US